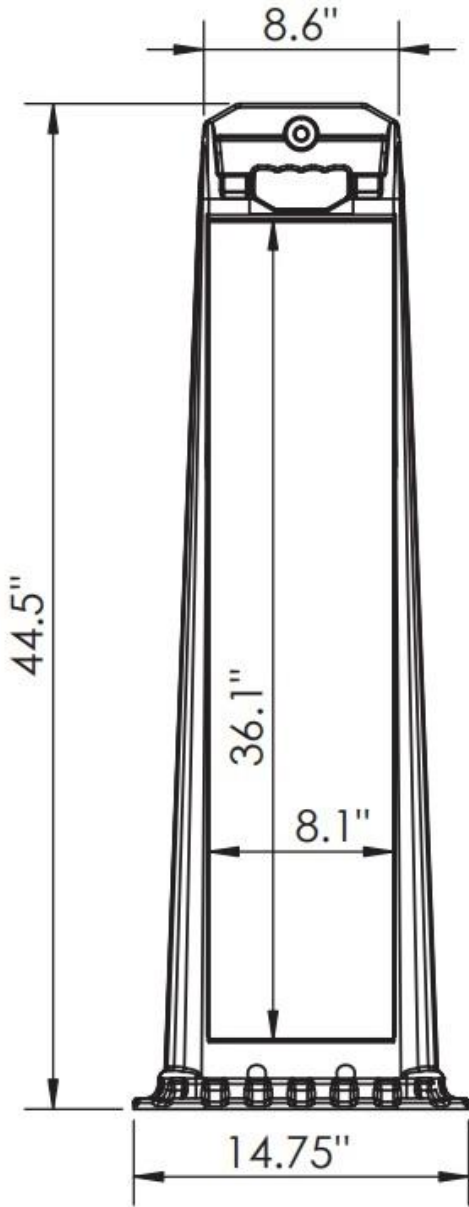




**HOUSTON
BARRICADE**
-- AND SUPPLY --



Vertical Panel Weight: 4 lbs.
Dimensions: 14.75" W x 44.5" H

