

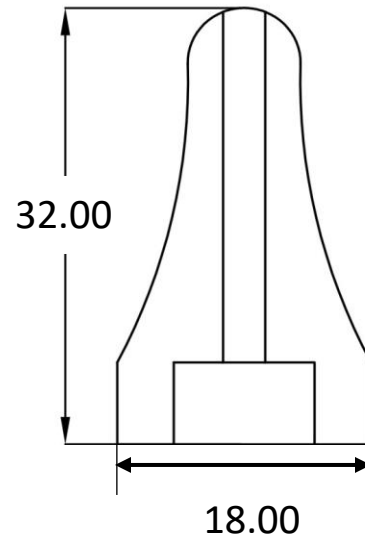
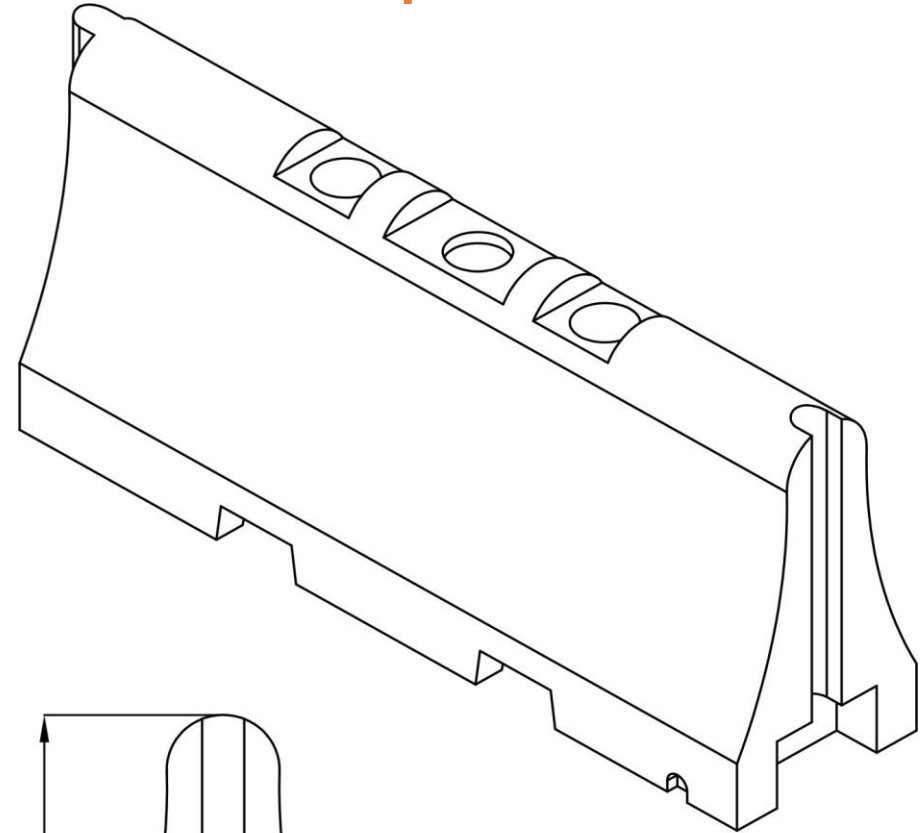
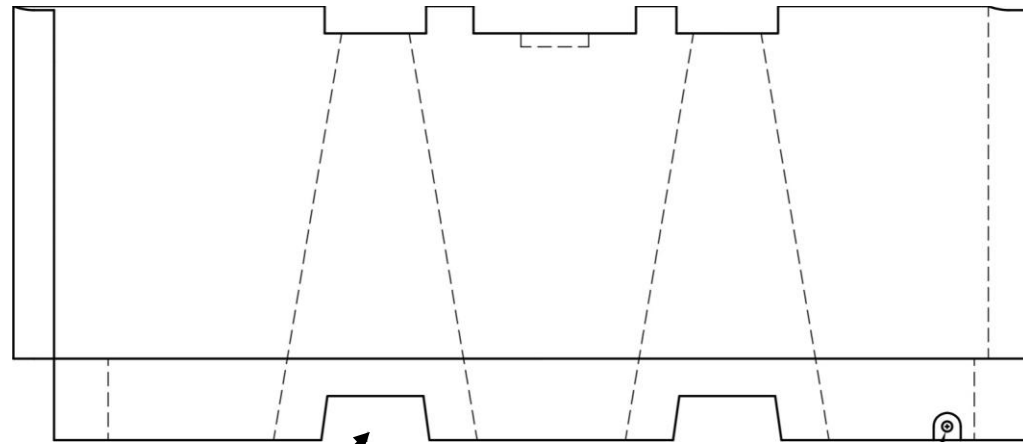
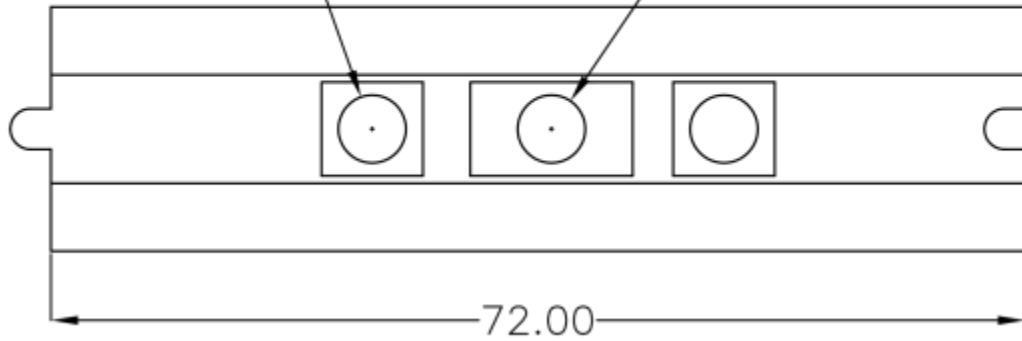


HOUSTON BARRICADE

--- AND SUPPLY ---

2X MOLDED THROUGH COLUMNS

ø5.00 FILL PORT



1/4" WALL THICKNESS
70 LB PART